

Setting the Ignition Power-Off Delay for the Automotive EN-2000™ Router

The automotive EN-2000 has a timer for automatic power-off after the vehicle's power is shut off, so that the EN-2000 will not drain the automotive battery. The user can set the timer's value.

There are several situations in which the automotive EN-2000 might need to remain in service for a short time after the automotive power has been shut off. The following case is one example:

A vehicle has returned to the depot and the driver has shut off the ignition. The automotive EN-2000 router remains active for 20 minutes to allow telemetry data—perhaps from the refrigeration unit—to be collected over a local WiFi connection.

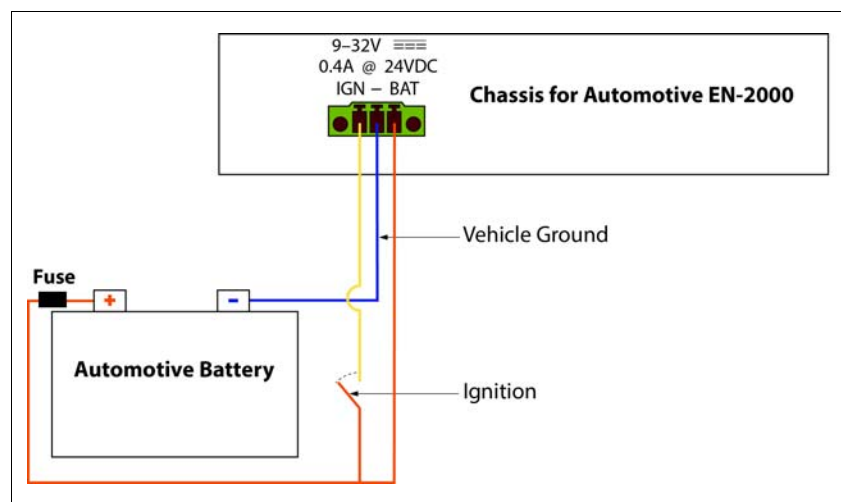
Use the following steps to configure delayed shut-off for the automotive EN-2000.

- 1 Make sure the automotive EN-2000 is attached to a stable mounting bracket in the vehicle, and make sure the EN-2000's ports are connected to support the router's network functions.

Note: For details, see [Section C.2, Installing the Automotive EN-2000 Router in a Vehicle](#), on page 3 of the document [The Automotive EN-2000™ Router](#).

- 2 Connect the automotive EN-2000 to the automotive battery, to use delayed power-off ([Figure D-1](#)).

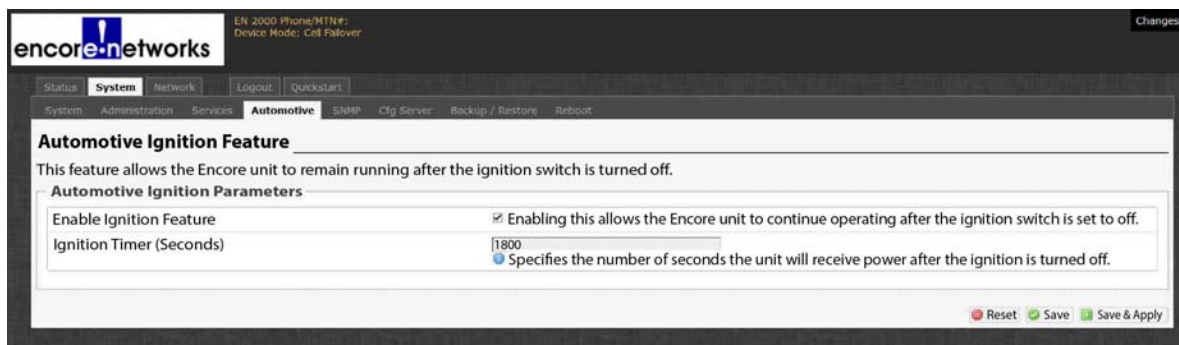
Figure D-1. Automotive EN-2000 Power Connection with Delayed Power-Off



Note: For connections using other power-off scenarios, see [Section C.3.1, Making a Permanent Connection to the Automotive EN-2000](#), on page 4 of the document *The Automotive EN-2000™ Router*.

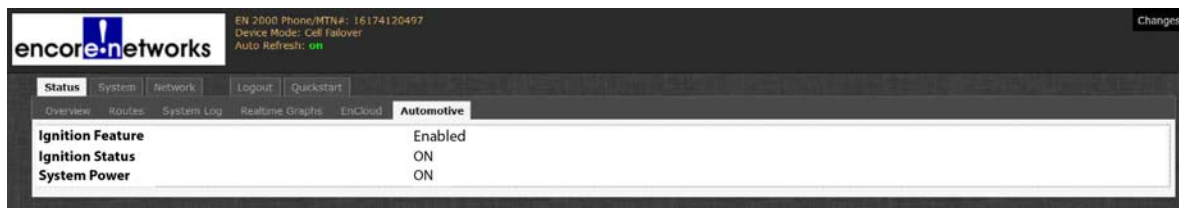
- 3 Turn the vehicle's key to start the automotive engine. Then watch the EN-2000's **Status** LED.
- 4 Wait until the **Status** LED stays on. Then open the EN-2000's management system. (For details, see [Section 2.3, Logging In](#), on page 2 of the document *Using the EN-2000's Management System*.)
 - ❖ The EN-2000's management screen is displayed.
- 5 On the management screen, select the **System** tab; then select the **Automotive** tab.
 - ❖ The screen for Automotive Ignition Configuration is displayed ([Figure D-2](#)). The **Ignition Timer** indicates the delay for EN-2000 power shutdown after the automotive power has been shut off. The timer's default value is **1800** seconds (30 minutes).

Figure D-2. Automotive Ignition Configuration



- 6 To change the time delay, make sure the checkbox to **Enable Ignition Feature** is selected, and enter a new value in the **Ignition Timer** field. Then select the button to **Save & Apply**.
 - ❖ The system adopts the new timer value. The screen displays that value.
- 7 To monitor the time for the EN-2000's delayed shutdown, select the **Status** tab; then select the **Automotive** tab.
 - ❖ The Automotive EN-2000 System Power Status Screen is displayed. (In [Figure D-3](#), the vehicle's **Ignition Status** is **ON**. The EN-2000's **System Power** is also **ON**, indicating that the EN-2000 is receiving power from the vehicle.)

Figure D-3. Automotive EN-2000 System Power Status Screen



- 8 Turn off the vehicle's power.
 - ❖ The screen's **System Power** field starts the countdown for the EN-2000 to power off ([Figure D-4](#)). The field refreshes every few seconds.

Figure D-4. Automotive EN-2000 System Power Status Screen: Countdown to Power Shutdown



❖ When the countdown reaches 0 (zero), the automotive EN-2000's power shuts off. The EN-2000's management system is no longer active.

Note: To restart the automotive EN-2000 router, repeat [step 3](#), on page 2.

