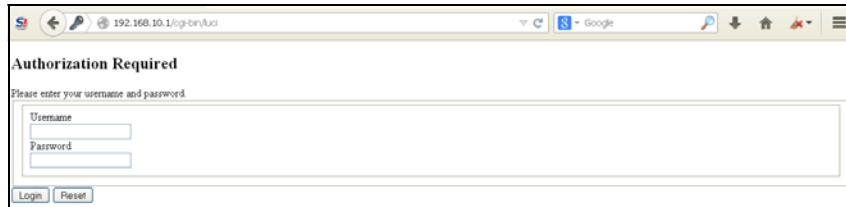


## G. Log into the EN-1000

- On the computer, open a web browser. In the browser's address field (URL field), type the EN-1000's default LAN IP address (**192.168.10.1**) and press the **Enter** key.
  - The browser displays the EN-1000 Management System Log-In Screen. If the user name (**admin**) is not displayed, type it.

*EN-1000 Management System Log-In Screen*



- Type the password:
  - EN-1000 routers that were shipped before July 9, 2018, use the default password **encore!1**.
  - Routers shipped on or after July 9, 2018, use a randomly generated default password. It is listed in the lower right corner of the label on the bottom of the EN-1000 chassis.

**Note:** Even if you change the router's password, save the default password, in case the router must be reset in the future. For details, see the document [Password Policy for EN™ Routers](#).
- After typing the password, press the console's **Enter** key or select the screen's button to **Log In** (located below the entry fields).
  - The EN-1000 management screen opens.
- Select the management system's **Quickstart** tab.
- Configure the EN-1000 for its role in the network. For details, see the *EN-1000™ Quick Configuration Guide*.

## H. Log out of the EN-1000

To close the EN-1000 management session, select the tab to **Log Out**.

If the management system is unattended for several minutes, the session will log out automatically. To resume management, log in again.

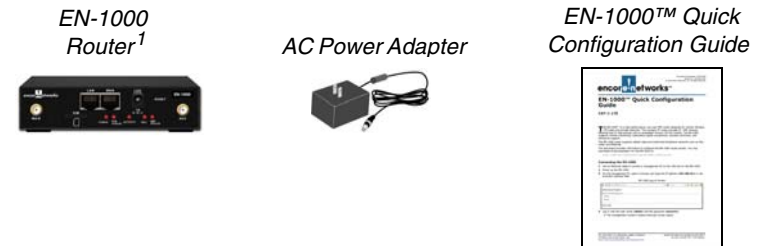
**Note:** The EN-1000 remains active and continues its network functions, regardless of management access.

*The EN-1000™ is for use in 4G CAT-1 LTE networks.*

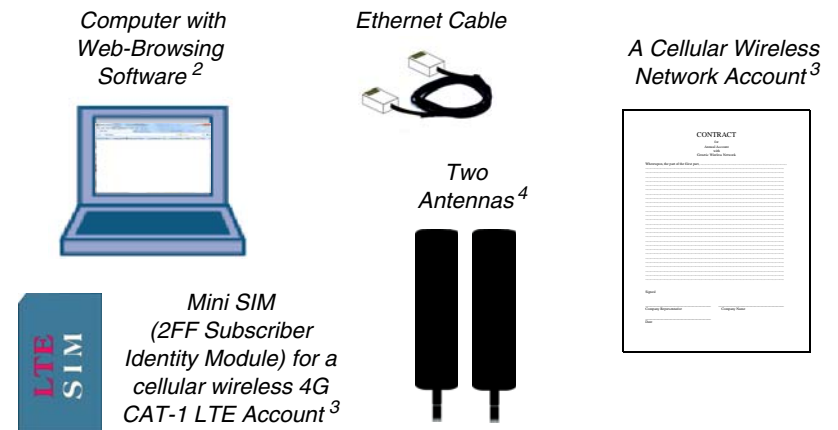
# EN-1000™ Quick Installation Guide

## A. Collect the Items Needed for Installation

- Get everything out of the shipping box:



- Get additional items required to install the EN-1000:



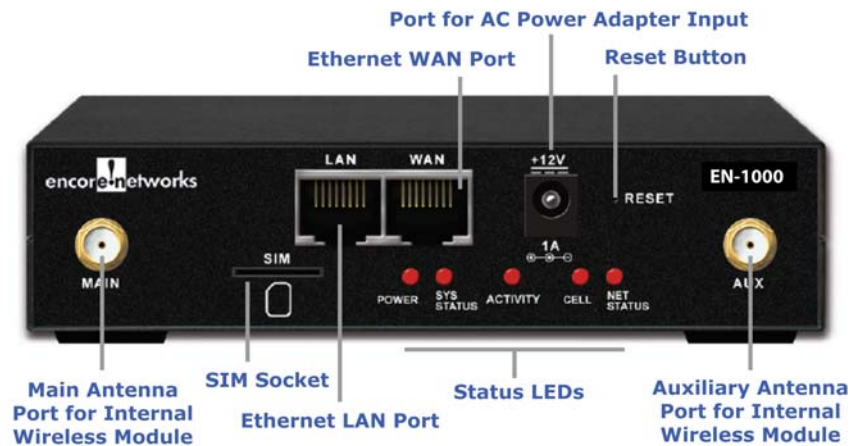
- Make sure you have downloaded the *EN-1000™ Quick Installation Guide* (this guide) and the *EN-1000™ Quick Configuration Guide*, at:

<http://encorenetworks.com/documentation/document-catalog/>.<sup>5</sup>

- A 4G CAT-1 Long-Term Evolution (LTE) cellular wireless module is installed inside the EN-1000 chassis before shipment.
- JavaScript must be enabled in the web browser.
- The 4G CAT-1 LTE cellular wireless module must have a cellular wireless network account and a Subscriber Identity Module (SIM) for that account. Order a SIM from your cellular wireless carrier. SIMs are not shipped with the EN-1000.
- Order cellular wireless antennas from your EN-1000 distributor.
- Additional information is at <http://www.encorenetworks.com/documentation.htm>.

## B. View the Ports on the EN-1000 Chassis

EN-1000 Chassis Front



## C. Install the SIM

Use a Mini SIM (2FF Subscriber Identity Module) for your cellular wireless 4G CAT-1 LTE Account.

- 1 Make sure the EN-1000 is **not** connected to a power source.
- 2 Connect antennas to the ports labeled MAIN and AUX. (Get antennas from your EN-1000 distributor.)
- 3 Insert your cellular wireless 4G CAT-1 LTE SIM into the SIM socket on the front of the EN-1000 chassis. Make sure the SIM's notched corner is the left corner going into the SIM socket.

**Note:** Push the SIM in just far enough to catch. (If you need to remove the SIM, press it again. It will pop forward so that you can remove it.)

## D. Connect the Antennas

- 1 Connect antennas to the ports labeled MAIN and AUX on the front of the EN-1000 chassis, to support the cellular wireless module.

## E. Connect and Start the EN-1000

- 1 Connect an Ethernet cable between the computer's Ethernet port and the Local Area Network port (the LAN port) on the front of the EN-1000.
- 2 Connect other cables to the EN-1000 ports as needed for the EN-1000's functions in the network.
- 3 Connect the EN-1000's AC adaptor to the chassis; then plug the adaptor into an AC wall outlet.
  - ❖ The EN-1000 powers up. If the account is active and has a good cell signal, **the SIM will probably be registered within an hour** (usually within 10 minutes). The Cell LED indicates signal strength and registration status. (For LED patterns, see the *Quick Guide to EN-1000™ LED Codes*.)

## F. Notes on EN-1000 Factory Defaults

By default, if there is an Ethernet WAN connection, the EN-1000 functions as a failover router for Ethernet WAN to cellular 4G CAT-1 LTE. If there is no Ethernet WAN cable, the EN-1000 acts as a cellular 4G CAT-1 LTE broadband router.

The LAN port (IP address 192.168.10.1) is a DHCP server, and the WAN port is a DHCP client. The cellular wireless module gets its IP address from the carrier.

If the factory default configuration is sufficient for the EN-1000's operation in your network, you may not need to use the remaining sections of this quick guide for the router to be operational.

**Note:** If the EN-1000 needs to be set to the factory default configuration for any reason, the front panel **Reset** button can be pushed. The sequence is described on the final page of the *EN-1000™ Quick Configuration Guide*.